



**RPC
SERIES**

OMEGA 816



OMEGA 816

RPC SERIES

Omega 816 replacement chassis unit is an ideal replacement and upgrade for the old ClimateMaster 816 units. The chassis is a direct drop in for the existing ClimateMaster unit allowing for a fast, simple and easy installation. The Omega 816 is available in three electrical configurations:



- Omega electrical package version replaces all existing electrical controls inside electrical box with a complete, pre-wired electrical package including new components, wiring, and microprocessor controller
- "M" or "P" Controls version comes with matching harness to mate with existing ClimateMaster "M" or "P" series electrical box

Each unit features modern components and chassis noise cancelling base providing the user with silent, energy efficient, and reliable year-round operation.

COMPARISON CHART

OMEGA MODEL	REPLACES CLIMATEMASTER MODEL	NOMINAL SIZE (TONS)
RPC-CM-816-030	816-10	3/4
RPC-CM-816-040	816-15	1
RPC-CM-816-060	816-20*	1 ½
RPC-CM-816-080	816-28	2
RPC-CM-816-100	816-30	2 ½
RPC-CM-816-120	816-36	3

* Original blower kit replacement may be required. Contact your local sales office for details.

QUICK & EASY

Omega 816 replacement chassis is dimensionally identical to the old ClimateMaster 816 units for a quick and easy installation. Simply remove old chassis, install new Omega unit, connect water connections and plug in matching electrical connections. The available three electrical connection options and two water connection versions provide a solution to a variety of existing cabinet configurations for a seamless transition.

SAFETY

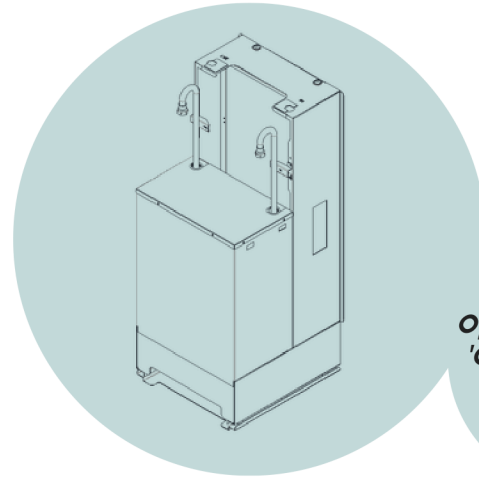
Replacement chassis comes standard with high-pressure and low-pressure safety switches, and refrigerant low temperature switch to protect unit from unwanted operating conditions such as airflow blockages, water flow disruptions, and motor failures. Omega electrical package control option features water temperature sensors, and advanced unit monitoring and data logging diagnostics for quick and accurate troubleshooting.

COMFORT & RELIABILITY

Quiet and reliable operation from the use of quality components and construction. High-efficient compressors and Ultra Quiet sound package come as standard ensuring silent year round unit operation. All new Omega units come standard with a 1-year parts and 5-year compressor warranty.

STANDARD FEATURES

- Factory charged and tested
- High efficiency compressors
- High and Low-Pressure safety switches
- Freeze temp sensor
- Ultra Quiet sound package
- Thermal Expansion Valve (TXV) & Filter Drier
- R-410A Environmentally friendly refrigerant
- Refrigerant service access ports
- Heavy gauge galvanized sheet metal
- 1-Year Parts and 5-Year Compressor Warranty

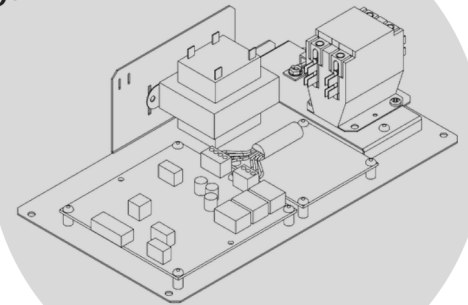


Optional 817 Series 'Cane' Style Water Connections

OPTIONS & ACCESSORIES

- 3 Electrical Options:
 - Omega Electrical Package w/ Microprocessor
 - 'M' Controls plug-n-play electrical connections
 - 'P' Controls plug-n-play electrical connections
- Thermostat
- Auto-Flow Balancing valve
- Auto Shut-Off Control valve
- Geothermal Option
- Epoxy Coated Air Coil
- Blower Kits
- 817 'Cane' Style Hose Connections

Optional Omega Electrical Package



PERFORMANCE DATA

OMEGA MODEL	REFRIG.	SIZE (TONS)	NOMINAL CFM	COOLING*		HEATING*		NOMINAL GPM	WPD	
				BTUH ¹	EER ¹	BTUH ²	COP ²		PSI	FT
RPC-CM-816-030	R410A	3/4	310	9,900	12.6	14,100	4.4	2.5	4.3	10
RPC-CM-816-040		1	475	13,000	13.3	16,600	4.4	3.0	4.5	10
RPC-CM-816-060		1 ½	600	17,600	12.1	22,600	4.2	4.5	5.1	12
RPC-CM-816-080		2	800	24,000	13.6	30,400	4.5	6.0	6.5	15
RPC-CM-816-100		2 ½	1,000	30,000	13.0	36,500	4.3	7.5	5.6	13
RPC-CM-816-120		3	1,200	35,500	13.0	41,000	4.3	9.0	4.8	11

* Nominal capacity performance based on 86F EWT Cooling, 68F EWT Heating and rated CFM. Includes fan power 0.365W/CFM

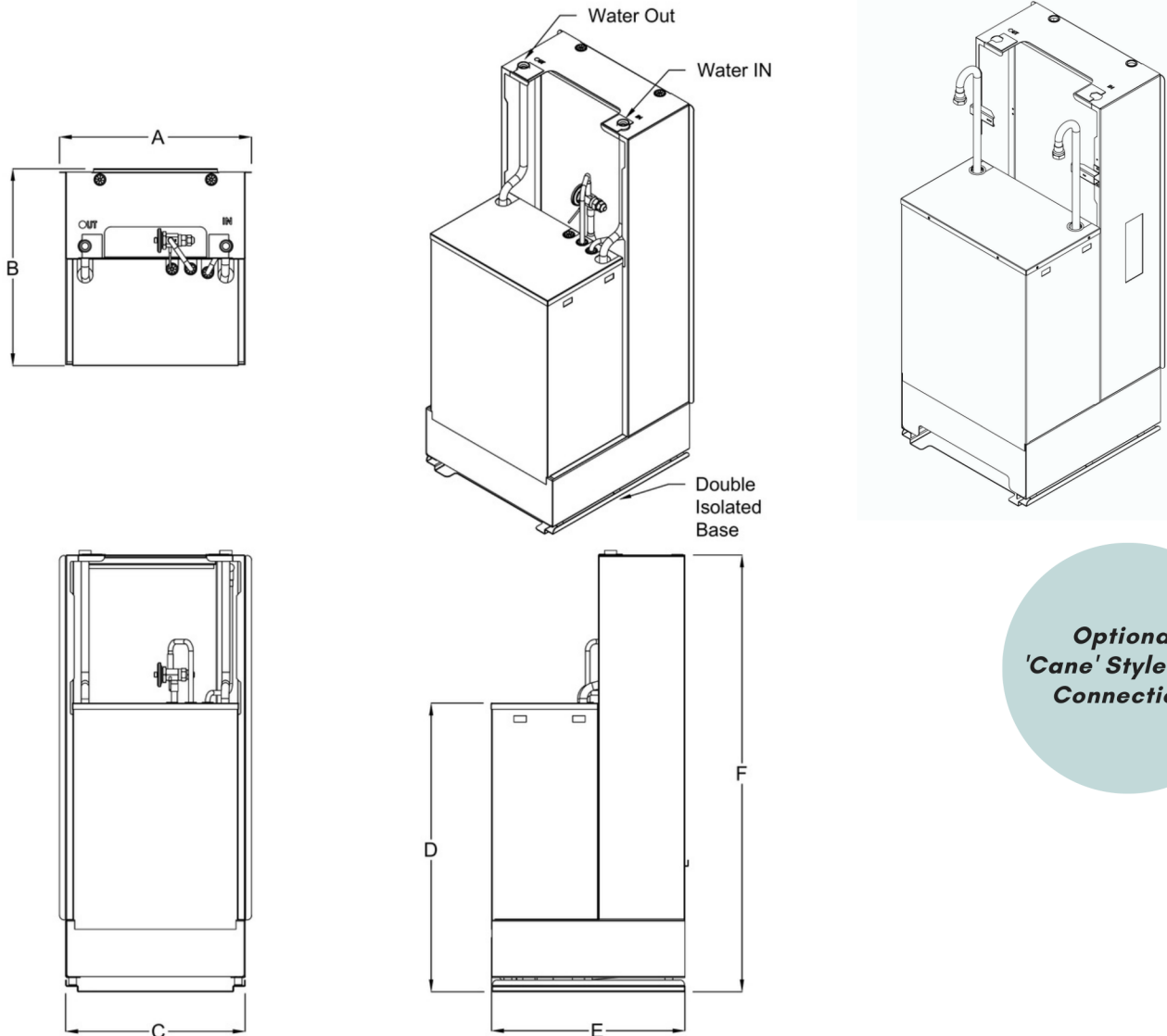
¹ Cooling performance based on 80F DB and 67F WB entering air conditions.

² Heating performance at 68F entering air.

DIMENSIONAL DATA

OMEGA MODEL	DIMENSIONS (INCHES)						WATER CONNECTION				WEIGHT (LBS)
							816 SERIES		OPTIONAL 817		
	A	B	C	D	E	F	OUTLET	INLET	OUTLET	INLET	
RPC-CM-816-030	15 1/2	16	14 1/2	24 3/8	15 5/8	36 3/8	1/2 HA	1/2 HA	1/2 FPT	1/2 FPT	70
RPC-CM-816-040	15 1/2	16	14 1/2	24 3/8	15 5/8	36 3/8	1/2 HA	1/2 HA	1/2 FPT	1/2 FPT	75
RPC-CM-816-060	18 1/2	19	17 1/2	22 5/8	18 5/8	41 3/8	1/2 HA	1/2 HA	1/2 FPT	1/2 FPT	100
RPC-CM-816-080	22 1/2	22 7/8	21 1/2	22	22 1/2	41 3/8	1/2 HA	1/2 HA	1/2 FPT	1/2 FPT	125
RPC-CM-816-100	22 1/2	22 7/8	21 1/2	22	22 1/2	41 3/8	3/4 HA	3/4 HA	3/4 FPT	3/4 FPT	130
RPC-CM-816-120	22 1/2	22 7/8	21 1/2	22	22 1/2	41 3/8	3/4 HA	3/4 HA	3/4 FPT	3/4 FPT	135

* Original blower kit replacement may be required for original 816-20 unit. Contact your local sales office for details.



*Optional
'Cane' Style Hose
Connections*